



sikla

Capability Statement

Company Overview

Trading since 1967, Sikla has been specialising in pipe and multi-service support solutions for capital projects. This includes the research and development of efficient structural installation systems, their alignment with specific industry requirements, compliance with international construction regulation and full Building Information Modelling integration (BIM).

Sikla UK & Ireland operates from its two branches in Milton Keynes and Belfast, both stocking key products and hosting pre-manufacturing facilities. A team of design and field engineers operates on both islands. Working with Sikla means for your project execution:



- ✓ Waste reduction
- ✓ Light weight but high load bearing
- ✓ Available from stock
- ✓ No steel drilling
- ✓ No hot works

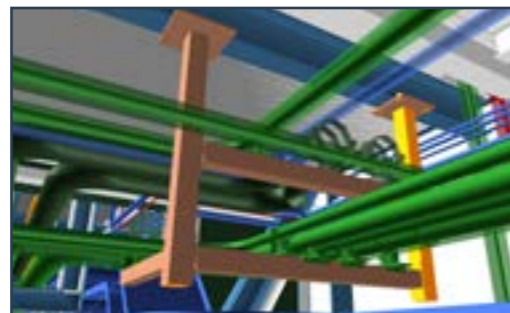
Detailed Support Design

Regular design contracts

- ✓ PDMS
- ✓ E3D
- ✓ SP3D
- ✓ Tekla
- ✓ Revit

Structural Analysis

Full reports generated using Dlubal RSTAB. Frame load data can be output directly into client software.



Modelling & drafting

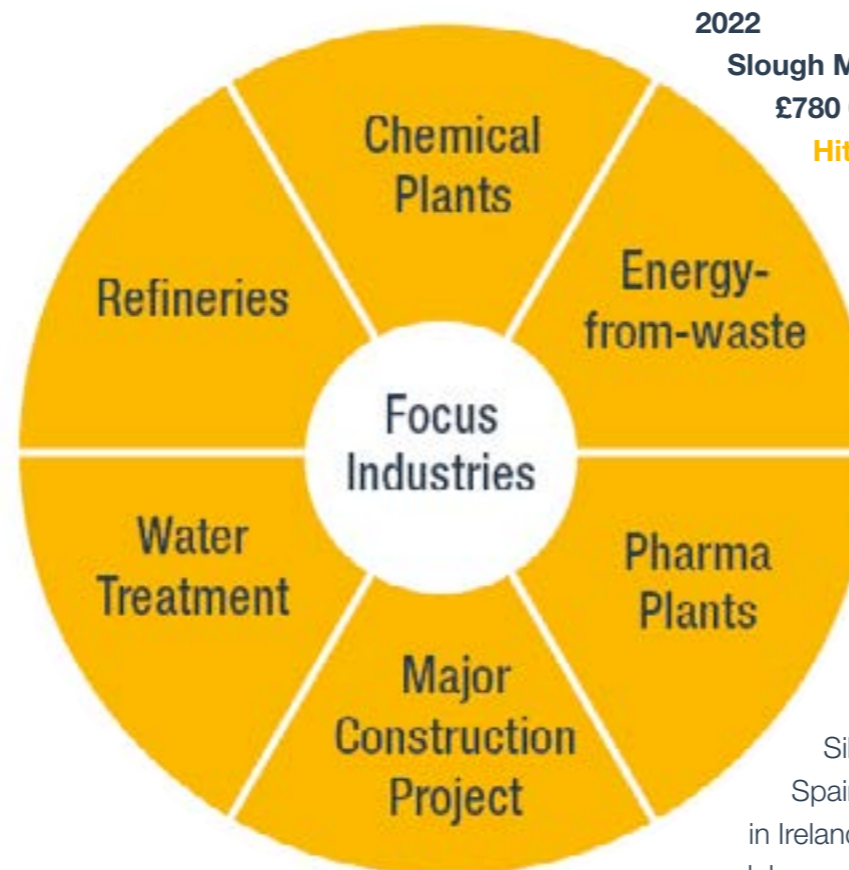
- Conversion of place holders
- Merger with client 3D models
- Workshop drawings

DfMA

SIKLA operates nimble production lines in both Milton Keynes and Belfast. Fully automated band saws and One-Screw-Technology allow for high volume production of everything from customised pipe racks to pumping-skid frames.



Scan QR for more on our Prefabrication services



Recent Projects

2023 (ongoing)
Nufarm Refurbishment Works, Bradford
£500 000
Wyke Chemical Works

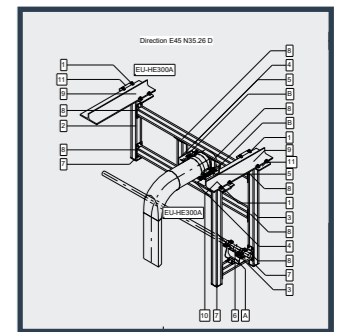
Sikla provided training and assistance to contractors' site teams including non-standard supports. Replacement of dilapidated historic supports by high corrosion protected (HCP) modular system to avoid hot works permits on site. The project comprises several thousand supports.



Chemical Plants

2022
Slough Multifuel
£780 000
Hitachi Zosen Inova

Modular support detailing by SIKLA plugin for AVEVA E3D. SIKLA supplied 1,550 unique steel frames plus 1,700 adjustable pipe shoes as a complete QR coded package on previously agreed readiness date, giving client flexibility to use supports in any plant area that is accessible.



Energy-from-waste

2019
Grifols Ireland
£1 000 000
Grifols

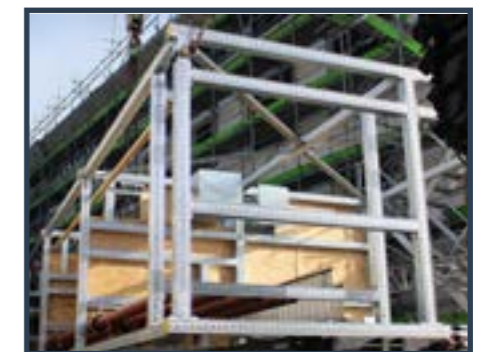
Sikla UK & Ireland working hand in hand with Sikla Spain, serving a Spanish client with a project execution in Ireland. The supply included close to 1M Euros worth of modular supports required to install services over the 17,000 sqm factory floor for plasma medicines.



Pharmaceutical Plants

2022
RAF Lakenheath
£300 000
Ministry of Defence

Supply of 3rd party designed modular supports for M+E services in plant areas and external risers. This project was a combination of new buildings, refurbishments and infrastructure upgrades.



Major Construction Project



Nigel Thompson

Sales and Engineering Director

Nigel is a Pipe Support expert and has been working for Sikla since 2004. Running a team of field engineers he is your first contact for new capital project enquiries in the UK and Ireland.



Ross Smith

Head of Engineering IEng MIMechE

Ross has worked for a decade as a Piping Engineer at Technip before joining Sikla UK in 2018. His team covers all usual design platforms from Aveva to Tekla. Contact Ross for software plugins.



Eva Arthur

Office Manager Milton Keynes & Belfast

Eva joined Sikla UK in June 2023 and with her team she supports our customers on the commercial and logistical side of the business, making sure our products will be on site at the right time and with the required documentation.



Great Britain

3 Newmarket Court
Milton Keynes | MK10 0AG
United Kingdom

+44 (0) 1908 281 052
miltonkeynes@sikla.co.uk
sikla.co.uk

Ireland

D3 Quaypoint 19 Heron Rd
Belfast | BT3 9LE
Northern Ireland

+44 (0)28 959 24783
belfast@sikla.co.uk | dublin@sikla.ie
sikla.ie