



Added Benefits and Services

CAD & Structural Design | Customised Components | Pre-assembly

Sikla UK Limited
3 Newmarket Court
Milton Keynes | MK10 0AG
United Kingdom
+44 (0)1908 281 052

sikla.co.uk | sikla.ie

Sikla Oceania Pty Limited
5 Craft Street
Canning Vale | WA 6155
Australia
+61 (0)8 9456 2777

sikla.com.au | sikla.co.nz



Modular Steelwork Solutions

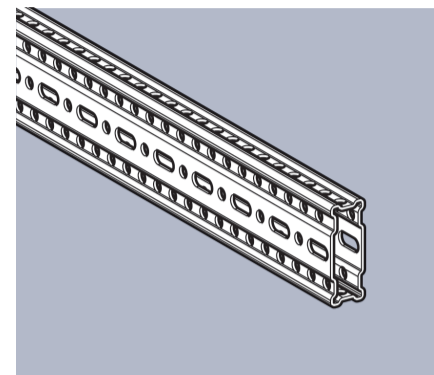
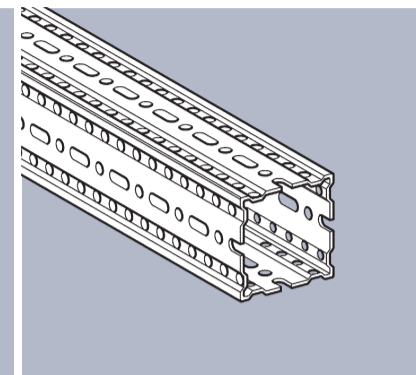
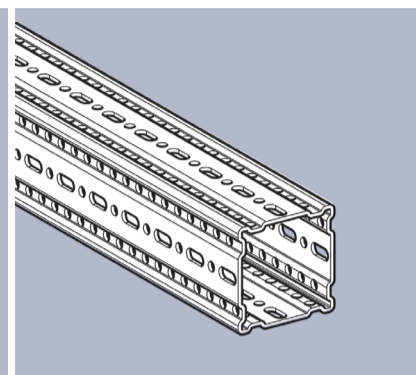
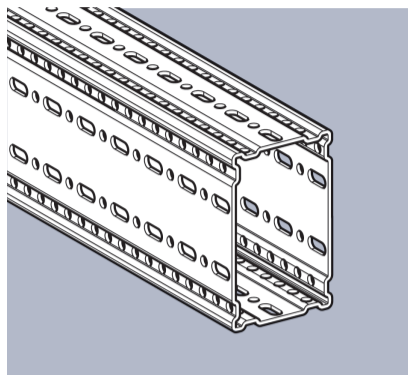
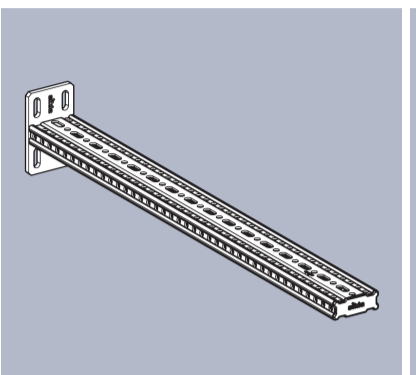
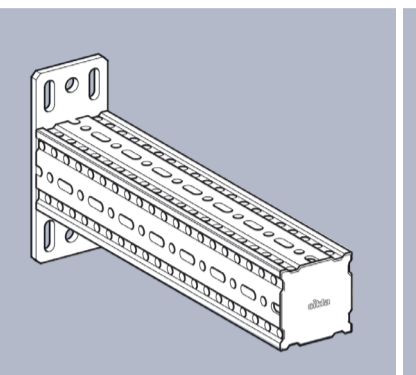
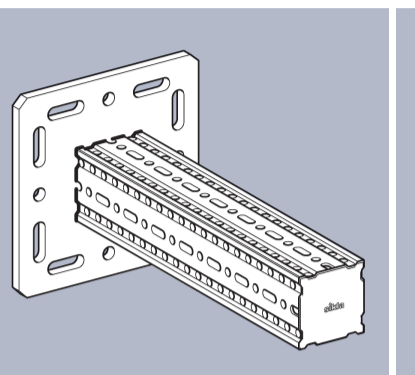
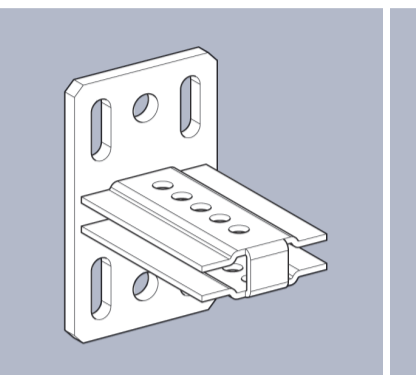
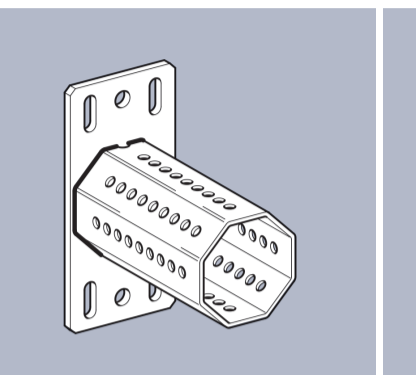
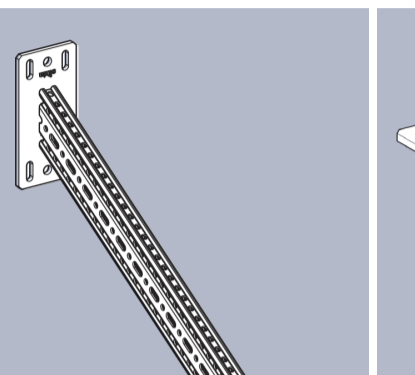
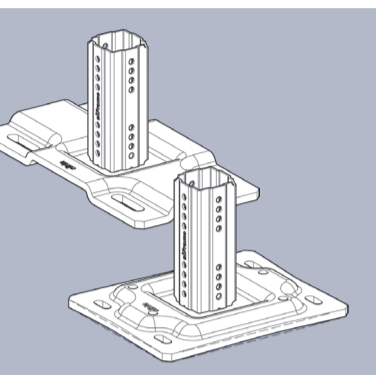


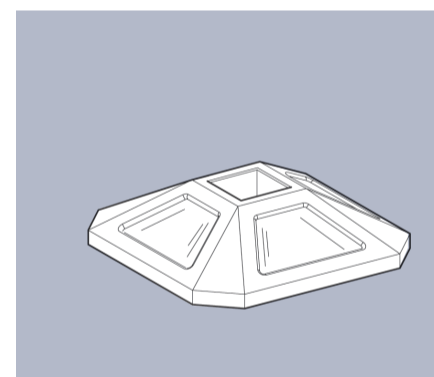
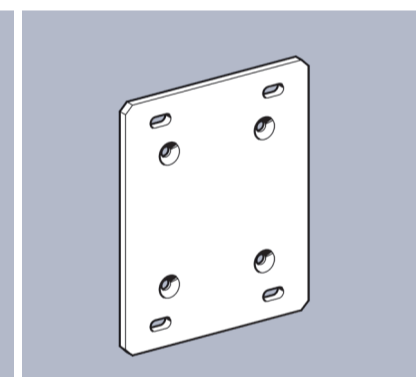
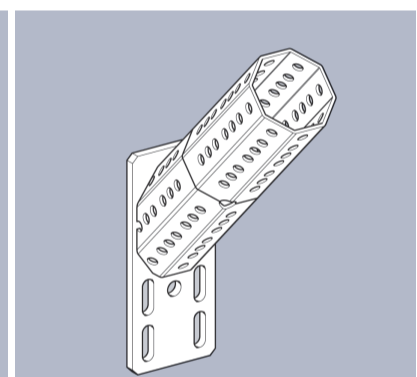
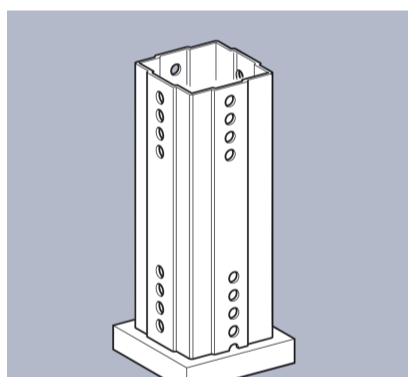
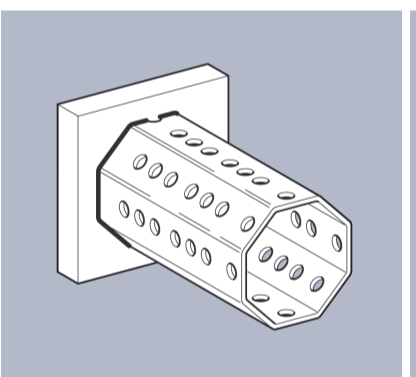
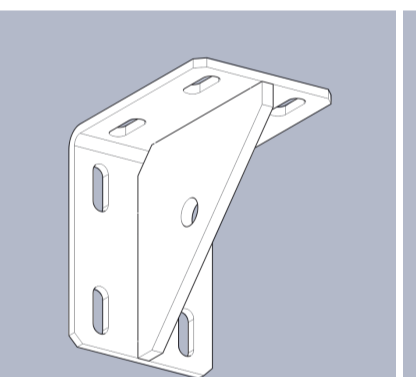
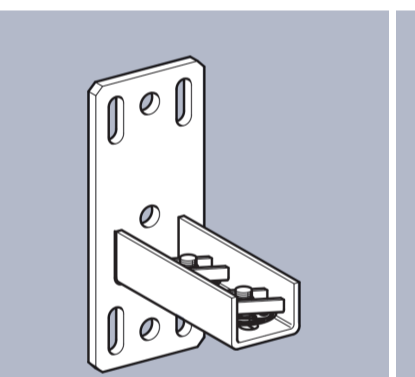
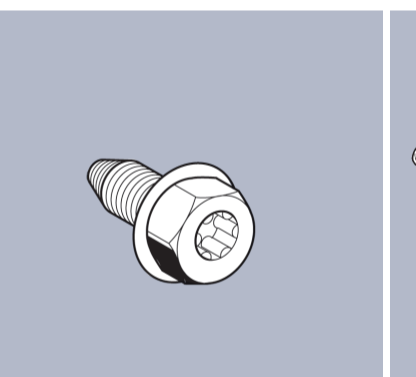
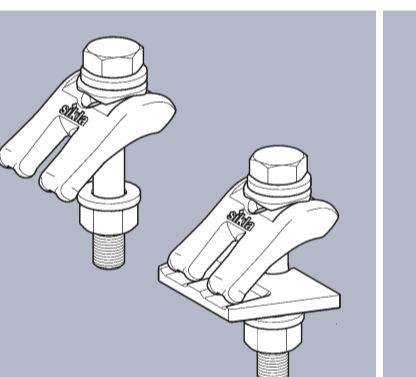
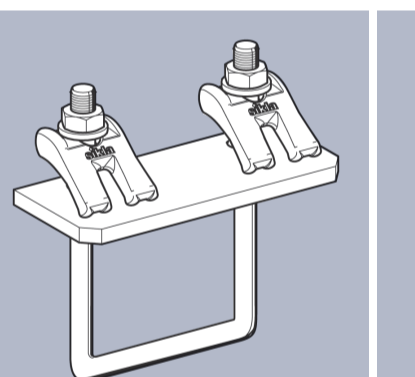
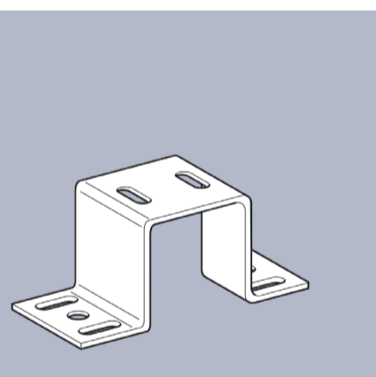
siFramo – Modular Steelwork Solutions

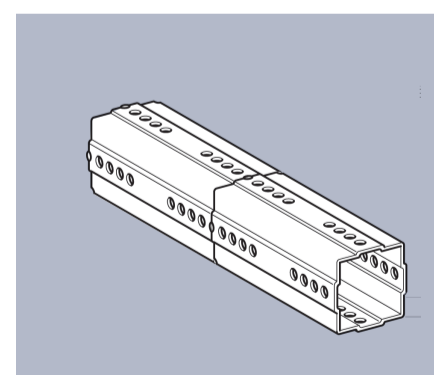
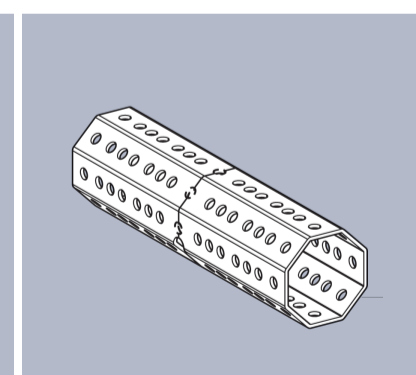
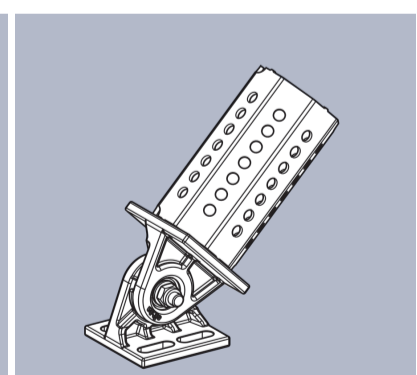
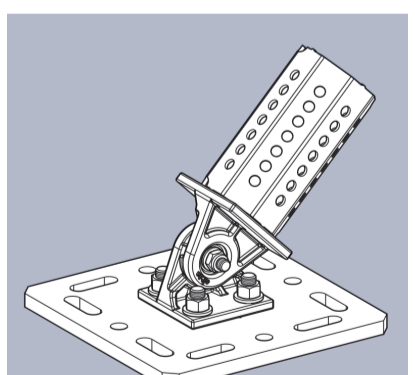
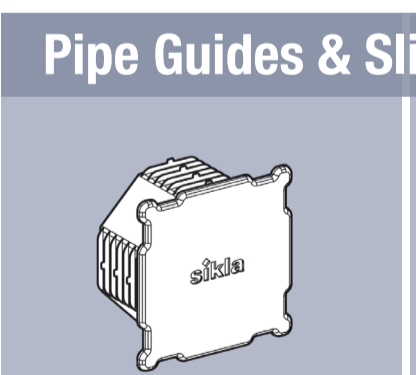
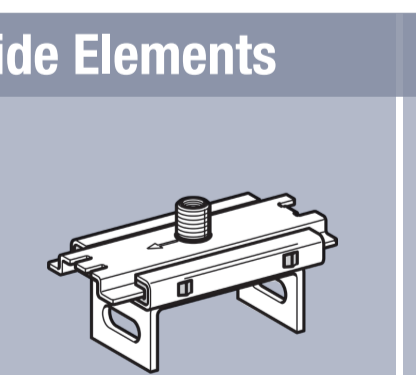
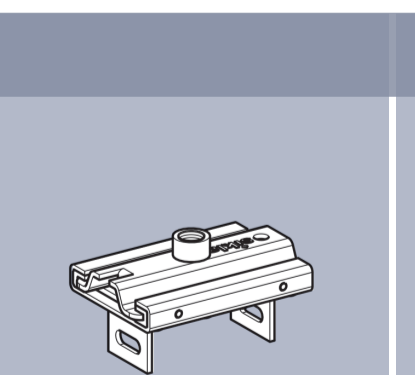
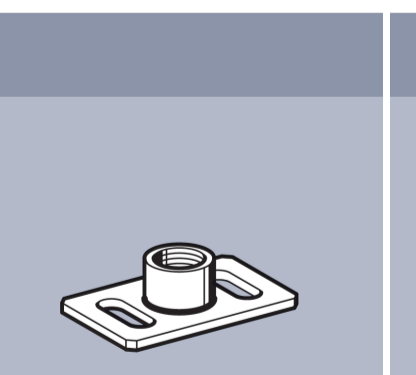
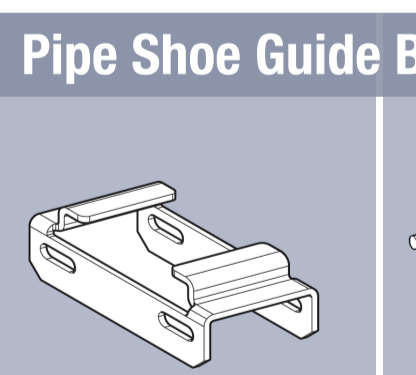
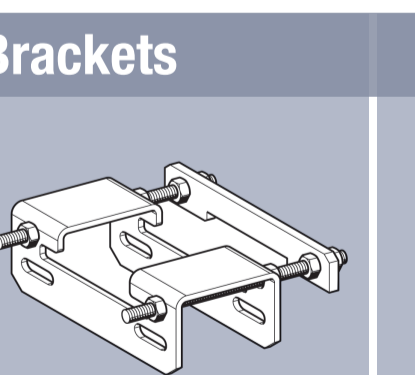
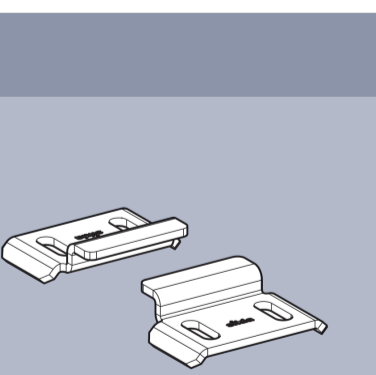
Benefits at a Glance

- ◆ Easy-to-use modular steelwork support system
- ◆ Significant productivity gains versus conventional steel fabrication
- ◆ One size and type of vibration-proof thread forming screw for all connections
- ◆ Compliance to EN 1090-1 (CE)
- ◆ HDG coating to EN-ISO1461 and AS/NZS2312
- ◆ No nuts or back plates at member joints
- ◆ Connection to all types of primary building structures
- ◆ Higher performance / lower weight of steel ratio
- ◆ Maximum flexibility / minimum installation time
- ◆ Parts re-usable after disassembly
- ◆ Adjustable components to allow for revisions and building tolerances
- ◆ Typical support shapes documented including load capacities and dimensions
- ◆ Compatible with generic strut systems
- ◆ No hot works – no clashes – no shut down



										
Beam Section TP F 80/30 TP F 80/30 113407	Beam Section TP F 80 TP F 80 192539	Beam Section TP F 100 TP F 100 112904	Beam Section TP F 100/160 TP F 100/160 112905	Cantilever Bracket AK F 80/30 AK F 80/30-400 113064 AK F 80/30-800 113065 AK F 80/30-E-400 113625 AK F 80/30-E-800 113626 Cantilever Bracket AK F 80/30-Q AK F 80/30-Q-400 117292 AK F 80/30-Q-800 117293	Cantilever Bracket AK F 80 AK F 80-400 192764 AK F 80-800 192771 AK F 80-E-600 110370 Cantilever Bracket AK F 100 AK F 100-400 113068 AK F 100-800 113069 AK F 100-1200 113419 AK F 100-E-600 113070 Cantilever Bracket AK F 160-100-E AK F 160-100-E-800 117145 AK F 160-100-E-1200 117146	Beam Bracket TKO F 80 TKO F 80-400 192788 TKO F 80-800 192795 Beam Bracket TKO F 100 TKO F 100-400 113071 TKO F 100-800 113072 TKO F 100-1200 113421 Beam Bracket TKO F 100/160 TKO F 100/160-800 113097 TKO F 100/160-1200 113420	End Support STA F 80/30 E STA F 80/30-80-E 113066 End Support STA F 80/30 STA F 80/30 117160 End Support STA F 80/30-Q STA F 80/30-Q 117294	End Support STA F 80 STA F 80 192856 STA F 80-E 192863 STA F 80-A 192870 End Support STA F 100 STA F 100 113073 STA F 100-E 113074 STA F 100-80 113337 STA F 100-80-E 113481 End Support STA F 100 - 100/160 STA F 100 - 100/160 114878 STA F 100 - 100/160 E 114879	Bracing Arm SKO F 80 SKO F 80 117152 Bracing Arm SKO F 100 SKO F 100 113096	End Support WBD F 80 WBD F 80-80/120 192801 WBD-P F 80-121/160 117164 WBD-P F 80-161/200 117165 WBD-P F 80-201/310 117166 WBD F 80-T 192849 End Support WBD F 100 WBD F 100-80/120 113075 WBD-P F 100-121/160 117167 WBD-P F 100-161/200 117168 WBD-P F 100-201/310 117169 WBD F 100-T 113079 End Support WBD F 100/160 WBD F 100/160-121/160 113098 WBD F 100/160-161/200 113099 WBD F 100/160-201/300 113100

										
Insulated Foot SHB SQF F 80 SHB SQF F 80-350 218865 SHB SQF F 80-500 218868 Insulated Foot Plate SHB F 80 SHB F 80-220 198926	Joining Plate AP AP 121/160 183953 AP 161/200 183962 AP 201/240 116534 AP 241/310 117767	End Support STA F - E 45° STA F 80-E 45° 406001	Weld Adapter ASA F 80 ASA F 80 110020 Welding Adapter ASA F 100 GPL Square ASA F 100 GPL 4kt 113339 ASA F 100/160 GPL 4kt 113410	Welding Adapter ASA F 80 Octagon ASA F 80 GLP 8kt 112212 Welding Adapter ASA F 100 Octagon ASA F 100 GLP 8kt 113080	Corner Bracket WD F 80 WD F 80 120/120 117153 Corner Bracket WD F 100 WD F 100 140/140 113095	41/41 Channel Adapter SA F 80 SA F 80-41 192887 41/41 Channel Adapter SA F 100 SA F 100-41 113081	Self Forming Screw FLS FLS F 192512	Assembly Set MS 5P M12 S 115843 M16 S 115844 M12 S2 115845 Beam Clamp Assembly Set MA 5P M12 MA S 114886 M16 MA S 114887	U-Holder SB F 80 SB F 80-16 192683 SB F 80-40 194010 U-Holder SB F 100 SB F 100-16 113082 SB F 100-40 113083 SB F 100/160-40 113101	Beam Section Holder TPH F 80 TPH F 80 195765 TPH F 80 C 111732 Beam Section Holder TPH F 100 TPH F 100 C 113084 TPH F 100/80 C 113085

				Pipe Guides & Slide Elements				Pipe Shoe Guide Brackets			
											
Square Coupling PK F 80 HCP PK F 80 4kt 111445 Square Coupling PK F 100 HCP PK F 100 4kt 400390	Octagonal Coupling PK F 80 HCP PK F 80 8kt 111446 Octagonal Coupling PK F 100 HCP PK F 100 8kt 400389	Pivot Joint GE F 80 GE F 80 - 80 113835 Pivot Joint GE F 100 GE F 100 - 80 113838 GE F 100 - 100 113837 Pivot Joint GE F 100/160 GE F 160 - 80 115854 GE F 160 - 100 115855	Pivot Joint GE F - ST F 80 GE F 80/120 - 80 115856 GE F 121/160 - 80 - 1 115857 GE F 161/200 - 80 - 1 115859 GE F 201/300 - 80 - 1 115861 Pivot Joint GE F - ST F 100 GE F 80/120 - 100 115863 GE F 121/160 - 100 - 1 115864 GE F 161/200 - 100 - 1 115866 GE F 201/300 - 100 - 1 115868	End Cap ADK F 80 ADK F 80 192674 ADK F 80/30 113067 End Cap ADK F 100 ADK F 100 113086 ADK F 100/160 113102	Slide Set GS F 2G GS F 80 2G 196700 GS F 80 2G2 196717 GS F 100 2G2 113093	Slide Set GS F 1G GS F 80 1G 113885 GS F 80 1G2 113886 GS F 100 1G 113091 GS F 100 1G2 113092	Mounting Plate GPL F GPL F 80-1/2" 192900 GPL F 80-M10 113004 GPL F 80-M12 112911 GPL F 80-M16 195833 GPL F 100-1/2" 113089 GPL F 100-M10 113338 GPL F 100-M12 113646 GPL F 100-M16 113090	Guiding Bracket FW F FW F 80 110349 FW F 100 113088	Fixed Point Bracket XW F XW F 80 110356 XW F 100 113087	Guiding Bracket FW F L/Z FW F 80 Z 6 113628 FW F 80 Z 9 113629 FW F 80 Z 12 113630 FW F 80 Z 15 113975 FW F 80 L 113627 FW F 100 Z 6 113632 FW F 100 Z 9 113633 FW F 100 Z 12 113634 FW F 100 Z 15 113976 FW F 100 L 113631	